

Domestic Meter

# Y250Ri



## Hybrid Technology with radio incorporated

Mechanical sensor plus electronic register including internal radio transceiver.

Hybrid Technology based on Elster's quality & experience.

- 360° rotation electronic register.
- High contrast LCD with 10mm height digits for read easiness and information icons.
- Inductive rotor detection.
- Dynamic range up to R250 for Q3 2,5 and 4,0 m<sup>3</sup>/h.
- Sizes: DN 15 and 20mm.
- ISO lengths & threads.
- Bi-directional RF transceiver integrated into the register.
- Wavenis technology  wavenis.
- Provides readings, alarms and statistical data.
- Self powered by an internal battery, typically 10 years in use.
- Protected against moisture and shocks.



## Performance Data

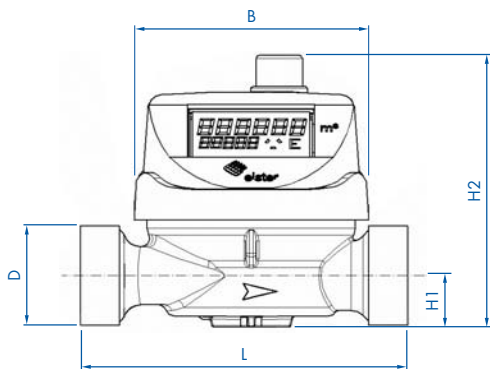
Size			15	20
Max. Flow Rate	Q4 ( $\pm 2\%$ )	m <sup>3</sup> /h	3,125	5
Permanent Flow Rate	Q3 ( $\pm 2\%$ )	m <sup>3</sup> /h	2,5	4
Transitional Flow Rate	Q2 ( $\pm 2\%$ )	l/h	16	25,6
Min. Flow Rate	Q1 ( $\pm 5\%$ )	l/h	10	16
Starting Flow Rate		l/h	3	5
Press. Loss at Q3		bar	0,6	0,6
Nominal Press	PN	bar	16	16

## Output data

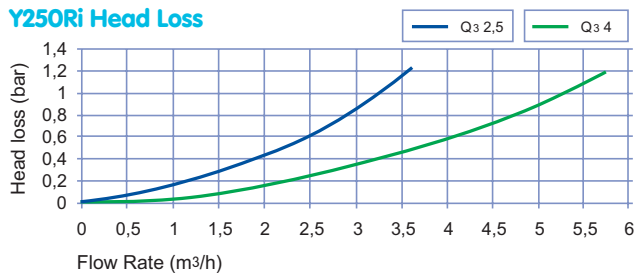
Display Resolution	l	0,01	0,01
Max. Displayed	m <sup>3</sup>	999.999,99999	999.999,99999

## Weights & Dimensions

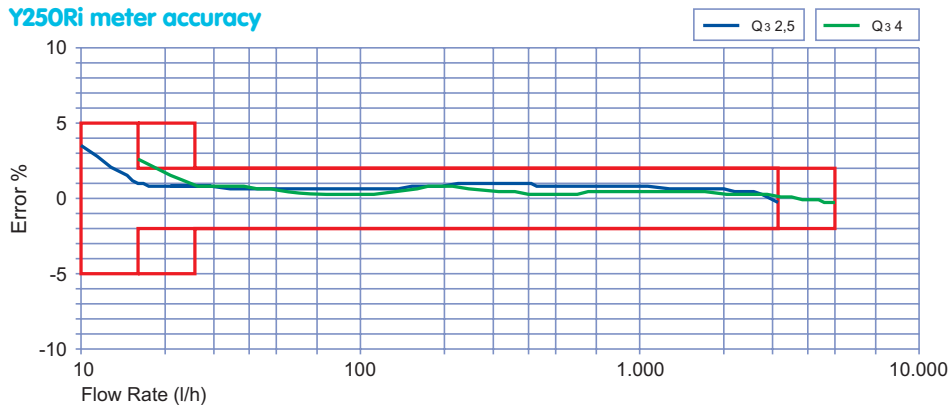
Distance across threads	L	mm	115 / 190	115 / 190
Height	H2	mm	98	98
Height center line	H1	mm	19	19
Width	B	mm	84	84
Threads	D	inch	3/4	1 x 1
Weight aprox.		kg	0,6	0,7



## Y250Ri Head Loss



## Y250Ri meter accuracy



## WARRANTY:

Meters are warranted for two years from any manufacturing default in his operation and/or materials from the date of delivery. This warranty must be understood as the replacement of the piece or pieces in our workshops. The warranty does not cover damage caused by improper installation, incorrect handling, force majeure, or whether the data provided does not fit the actual conditions of work. By the same, it would be excluded from the security breakdown or failure by the freezing of the fluid in its interior and the consequent increase in the volume of it. For everything not included in this summary, it must be applied the condition of security, that is available under the terms of Elster.



## RF transceiver features:

- Output frequency 868 Mhz.
- Transmission power 25 mW.
- Receiver sensitivity -110 dBm.
- Transmission mode FHSS.
- Data transmission speed up to 32 kb/sec.
- 1Km range in view line (typically 200m).



**elster**  
iberconta

Elster Iberconta, S.A.  
C/ Alcalá 95, 6º Dcha.  
Madrid  
C.P. 28009  
España

Tel.: +34 912 107 230/33  
Fax: +34 912 107 231

Elster.iberconta@es.elster.com  
www.elster-iberconta.com