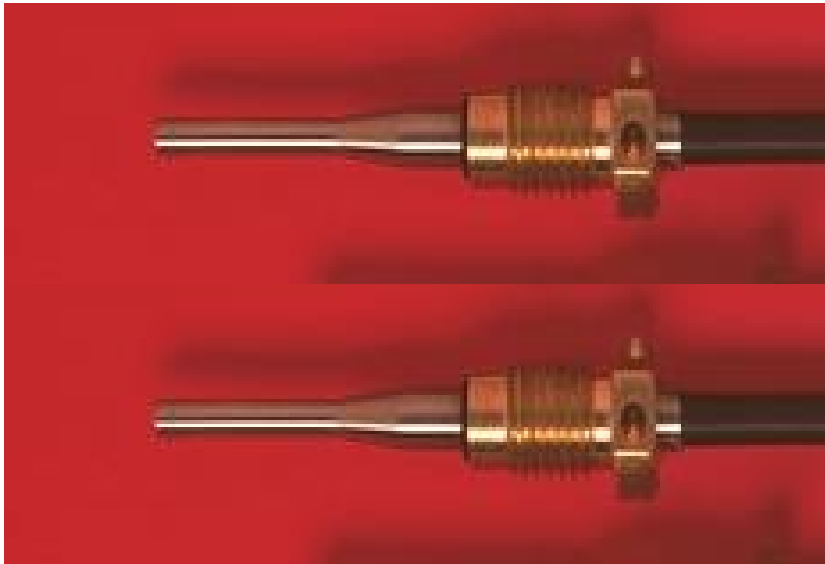


A small very rapid temperature sensor
designed for direct mounting

Temperature sensor SVM TDA26

Data sheet



Features

This small sensor consists of a Pt100 / Pt500 resistor, enclosed in a metal shield. The sensors are designed for direct mounting in the flow. The sensor length is 26 mm.

The sensors are delivered, as standard, with a 2 metres cable. They can be mounted in a flow sensor or in ball valves or T-tubes.

This type can also be mounted in small pockets.

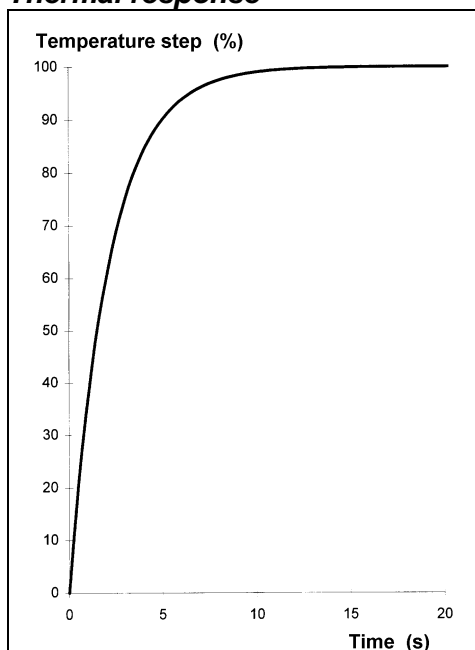
Advantages

The sensors follow the European standard EN1434 and have an extreme short response time due to the small thermal mass.

The sensors are delivered in pairs with permitted difference of max. 0,05 °K and providing a median of 0,02 °K in production and by final inspection.



Thermal response



Mounting

It is strongly recommended that the pair of sensors are mounted in identical way using T-pieces or ball-valves alternatively. The equality in mounting and performance will support the accuracy in measurement of temperature difference.

The ball valves offer the possibility to exchange the sensors without big loss of water. The installation must be properly sealed.

Test certificates can be supplied for delivery lots of more than 25 pairs

Technical data

Sensor type	Pt100/Pt500
Resistance acc. to	IEC751
Max RMS sensor current	8 mA
Measuring range	0 - 140 °C
Tolerance	Class B
Temp. difference	2 – 100 °C
Temp. Step response	1,8 sekunder
Min. immersion depth	20 mm
Pressure	PN16
Dimensions	
Diameter	3,5 mm
Length	26 mm
Material	
Sensor tube	inconel
Cable	
Length	2 m
Resistance	0,2955 Ω (2-wire cable)
Type	Silicone, PUR or PVC

Type approval

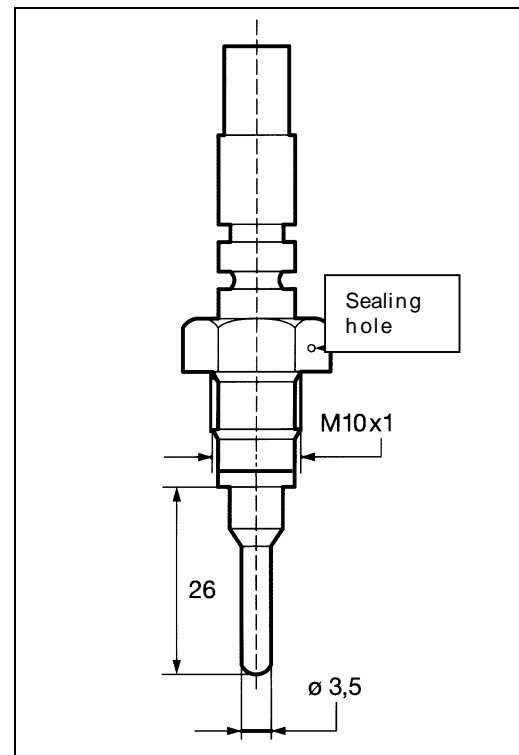
Swedish	SP	SP WT 98:01 P 15 42 02
German	PTB	22.70/99.06

Accessories

Valves and T-pieces

Material	Chromium plated brass
PN16	
Thread	M10 x 1 internal
TT15B	T-piece BSP 1/2" length 56 mm
TT20B	T-piece BSP 3/4" length 64 mm
TV15B	Ball valve BSP 1/2" length 56 mm
TV20B	Ball valve BSP 3/4" length 64 mm
TV25B	Ball valve BSP 1" length mm
TA15B	Adapter 1/2" M10
TA20B	Adapter 3/4" M10

Dimensions (mm)



Ordering key

Temperature sensor For direct mounting	type T	D										
The sensor length in mm		A	2	6								
Measuring element	Pt100				-							
Measuring element	Pt500				D							
Type of cable												
straight	max. 140°C				C							
spiral	max. 90°C				S							
Cable length in dm												
straight	(standard 20)					x	x					
spiral	(standard 15)					2	0					
						1	5					
Cable material												
PVC	(max. 90°C)							X				
Silikon	(max. 180°C)							Y				
PUR	(max. 90°C)							Z				
Paired sensors	(0 - 90°C)									C		
Paired sensors	(20 - 140°C)									N		
Paired sensors	(0 - 140°C)									T		
Unpaired sensors										U		
Country code (see art. Register)											#	
Standard												0
Special												S