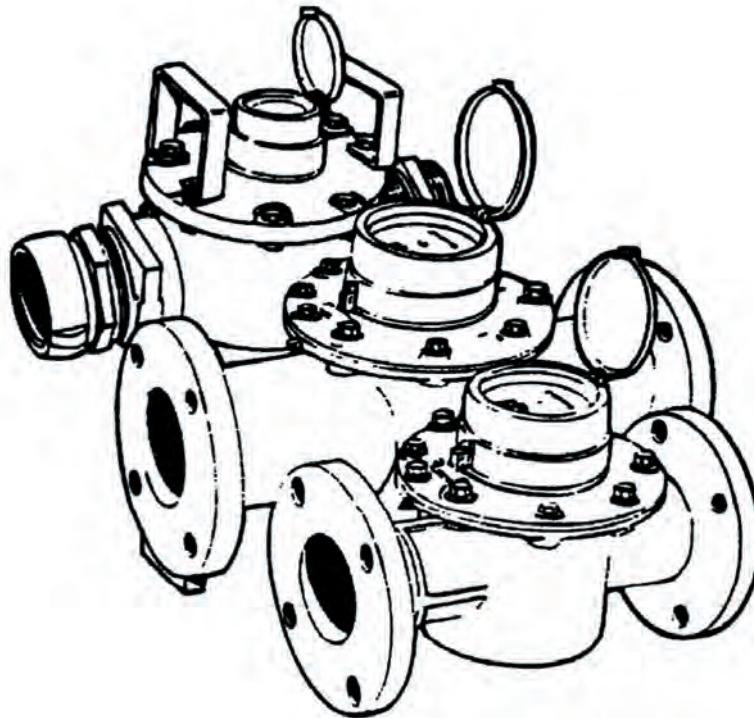


Parts/Prices

T3000 Turbine And H3200 Hydrant Potable Cold Water Meters

1 1/2" thru 8"



AMCO Water Metering Systems Inc.

www.amcowater.com

United States - ISO 9001:2000 Registered
AMCO Water Metering Systems
P.O. Box 1852
Ocala, FL 34478-1852
352-732-4670 FAX 352-368-1950
Outside Florida: 800-874-0890
Inside Florida: 800-356-6829
E-mail: watermeters@amcowater.com

Caribbean
AMCO Water Metering Systems
P. O. Box 225
Carretera 112 KM 2.3
Isabela, PR 00662
787-872-2006
FAX: 787-872-5427
e-mail: prwatermeters@amcowater.com

Canada
Elster Metering
1100 Walker's Line, Suite 101
Burlington, Ontario L7N 2G3
866-703-7582
905-634-4895
FAX: 905-634-6705
e-mail: watermeters@ca.elster.com

Mexico
Elster Medidores
Calle Norte 35 No. 983-13
Col. Industrial Vallejo
Del. Gustavo A. Madero
C P 07720
525 55 368 4757
FAX: 525 55 368 4782
email: amcowater@prodigy.net.mx

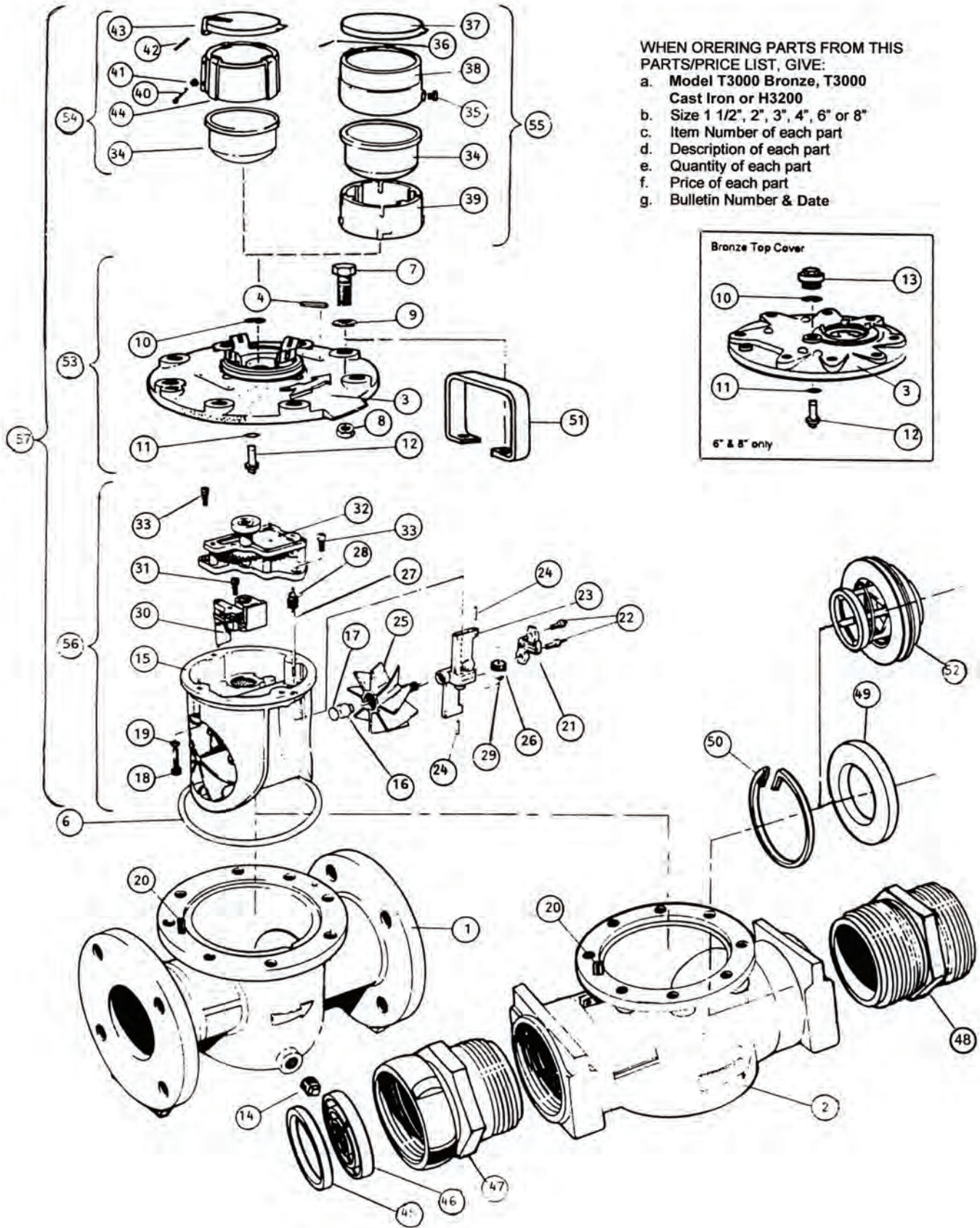
©2005 AMCO Water Metering Systems Inc. All rights reserved.

ELSTER  AMCO

Printed on recycled paper

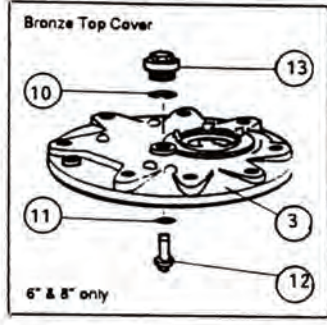
AMCO 

T3C-P-P-282/08-05



WHEN ORDERING PARTS FROM THIS PARTS/PRICE LIST, GIVE:

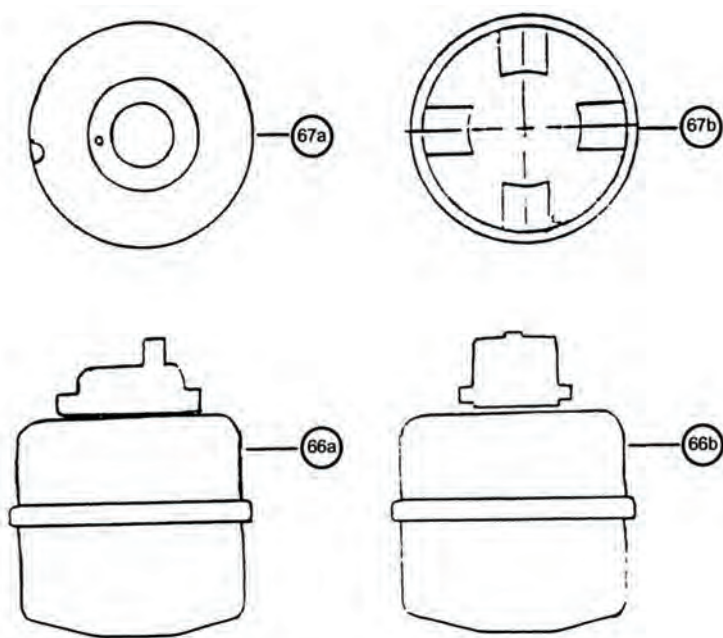
- a. Model T3000 Bronze, T3000 Cast Iron or H3200
- b. Size 1 1/2", 2", 3", 4", 6" or 8"
- c. Item Number of each part
- d. Description of each part
- e. Quantity of each part
- f. Price of each part
- g. Bulletin Number & Date



ILL. NO.	DESCRIPTION	1 1/2"	2"	3"	4"	6"	8"
Accessory Parts H3200							
45	Inlet Coupling Gasket	---	---	\$0.64	---	---	---
46	Inlet Coupling Screen	---	---	\$5.10	---	---	---
47	Inlet Coupling, Female NST Thread	---	---	\$102.00	---	---	---
48	Outlet Coupling, Male NST Thread	---	---	\$52.00	---	---	---
49	Restrictor Plate	---	---	\$6.17	---	---	---
50	Retaining Clip	---	---	\$4.20	---	---	---
51	Carrying Handle (2)	---	---	\$11.60	---	---	---
52	H3200 Check Valve Assembly	---	---	\$197.20	---	---	---
Subassemblies							
53	C701 Bronze Top Cover Assembly	\$43.84	\$43.84	\$43.84	\$62.58	\$100.29	\$117.22
54	C701 Sealed Register with Polymer Housing*	\$48.86	\$48.86	\$48.86	\$48.86	\$48.86	\$48.86
55	C701 Sealed Register with Bronze Housing*	\$55.97	\$55.97	\$55.97	\$55.97	\$55.97	\$55.97
56	Measuring Element Assembly*	\$298.83	\$298.83	\$455.08	\$724.55	\$1,281.91	\$1,790.79
57	Measuring Element, C701 Top Cover & Sealed Register Assembly*	\$401.62	\$401.62	\$557.87	\$848.60	\$1,445.56	\$1,971.37
58-65	Not Used						

*Specify US Gallons, Cubic Feet, Metric or Imperial Gallons

ENCODER REMOTE READ T3000



TOOLS AND REMOTE WIRE	PART PRICES
Torx® T-15 Screwdriver	\$13.00*
Torx® T-25 Screwdriver	\$15.00*
Lead Seal (Each)	\$0.06*
Sealing Wire (Each)	\$0.12*
Remote Wire (Each Ft)	
2 Conductor Wire	\$0.13*
3 Conductor Wire	\$0.15*
4 Conductor Wire	\$0.19*

TORX® is a registered trademark of Camcar Division of Textron, Inc.

Prices are list Ocala, Florida

*Net Prices

Prices subject to change without notice.

These products are designed for use only with potable water below 120°F.

The company's policy is one of continuous product improvement and the right is reserved to modify the specifications contained herein without notice.

ILL. NO.	Description	1 1/2"	2"	3"	4"	6"	8"
66a	Encoder Register w/Plastic Lens*	\$92.74	\$92.74	\$92.74	\$92.74	\$92.74	\$92.74
66b	Encoder Register w/Glass Lens*	\$102.59	\$102.59	\$102.59	\$102.59	\$102.59	\$102.59
67a	Wall Pad	\$28.78	\$28.78	\$28.78	\$28.78	\$28.78	\$28.78
67b	Pit Pad	\$34.86	\$34.86	\$34.86	\$34.86	\$34.86	\$34.86
	Digital Register w/Plastic Lens*	\$97.00	\$97.00	\$97.00	\$97.00	\$97.00	\$97.00
	Digital Register w/Glass Lens*	\$109.00	\$109.00	\$109.00	\$109.00	\$109.00	\$109.00
	ScanCounter	\$170.00	\$170.00	\$170.00	\$170.00	\$170.00	\$170.00

*Specify US Gallons, Cubic Feet, Metric or Imperial Gallons