

Domestic Meter

S220



Purely accurate

New domestic single jet for billing applications.

Last generation product based on Elster's quality and experience.

- Dry type, 360° rotating register.
- Five m³ rollers.
- Bi-directional pulser pre-installation.
- Tamper-proof magnetic compling.
- Dynamic range up to R200 for Q3 2,5 and 4,0 m³/h.
- Sizes: DN15 and DN20 mm.
- ISO lengths & threads.
- Protected against moisture and shocks.
- Dismantled lid.
- For water up to 30 °C.



Performance Data

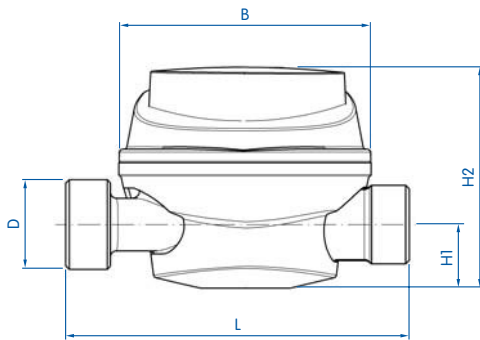
Size			15	20
Max. Flow Rate	Q4 (±2%)	m ³ /h	3,125	5
Permanent Flow Rate	Q3 (±2%)	m ³ /h	2,5	4
Transitional Flow Rate	Q2 (±2%)	l/h	20	32
Min. Flow Rate	Q1 (±5%)	l/h	12,5	20
Starting Flow Rate		l/h	4,5	6,5
Press. Loss at Q3		bar	0,6	0,6
Nominal Press	PN	bar	16	16

Output data

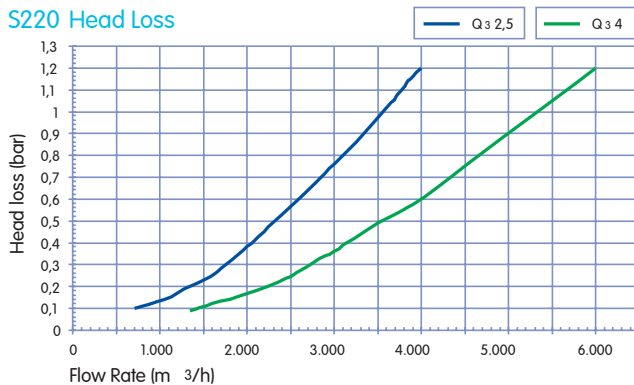
Display Resolution	l	0,05	0,05
Max. Display	m ³	99.999,999	99.999,999
Pulse output	l/p	1	1

Weights & Dimensions

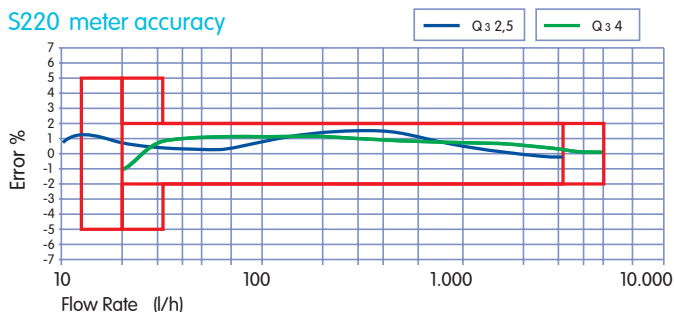
Distance across threads	L	mm	110 to 190	115 to 190
Height lid opened <td>H3</td> <td>mm</td> <td>130</td> <td>130</td>	H3	mm	130	130
Height lid closed <td>H2</td> <td>mm</td> <td>74</td> <td>74</td>	H2	mm	74	74
Height center line <td>H1</td> <td>mm</td> <td>20</td> <td>20</td>	H1	mm	20	20
Width <td>B</td> <td>mm</td> <td>84</td> <td>84</td>	B	mm	84	84
Threads <td>D</td> <td>"</td> <td>7/8 x 3/4 3/4 x 3/4</td> <td>1 x 1</td>	D	"	7/8 x 3/4 3/4 x 3/4	1 x 1
Weight aprox.		kg	0,6	0,75



S220 Head Loss



S220 meter accuracy



WARRANTY:

Meters are warranted for two years from any manufacturing default in his operation and/or materials from the date of delivery. This warranty must be understood as the replacement of the piece or pieces in our workshops. The warranty does not cover damage caused by improper installation, incorrect handling, force majeure, or whether the data provided does not fit the actual conditions of work. By the same, it would be excluded from the security breakdown or failure by the freezing of the fluid in its interior and the consequent increase in the volume of it. For everything not included in this summary, it must be applied the condition of security, that is available under the terms of Elster.



Elster Iberconta, S.A.

C/ Alcalá 95, 6º Dcha.
Madrid
C.P. 28009
España

Tel.: +34 912 107 230/33
Fax: +34 912 107 231

Elster.iberconta@es.elster.com

www.elster-iberconta.com