

S2000 Kent range of bulk commercial single-jet cold water meters

The accurate, low flow performance meter



S2000 commercial single-jet cold water meters

Combining extended low flow – exceeding Class C performance – with leakage monitoring capabilities, the S2000 is ideal for applications with widely varying flow rates, ensuring optimum opportunities for revenue management.

Key features

- Inductive register for improved output performance and security
- Water temperature up to 50°C
- Low flow performance with low headloss
- Extended low and high flow performance
- Robust shroud and copper can register for long-life and clear readability
- Longer wear life for optimum accuracy
- Exceeds Class C specification in the horizontal position, Class B in the vertical position

Available in sizes 40mm – 100mm, the S2000 offers the benefits of inductive-based pulse communications technology and complies with all relevant international quality standards. The single-jet meter is suitable for flow rates between 90 l/h up to 100 m³/h, and operates at temperatures up to 50°C and a maximum working pressure of 16 bar.

Outstanding performance for any application

The S2000 offers reliable and economical performance in a variety of applications. These include the measurement of water flow in commercial buildings, such as office blocks, hospitals, schools and factories where there are large flow variations. The product is suitable for improved low flow detection, thus enhancing leakage and distribution management.

Simple, robust, effective

Like all Elster meters, the S2000 is manufactured from the highest quality materials for maximum resistance to wear and corrosion. Meter body and cover are epoxy powder coated for protection in all environments. Offering simple, accurate and trouble-free metering and monitoring, the S2000 has only one moving part – the rotor – in the measuring chamber, thus delivering the combined benefits of exceptional robustness and low headloss (approximately 0.6 bar at maximum flow). For further simplicity, a magnetic coupling to the register drives directly off the rotor.

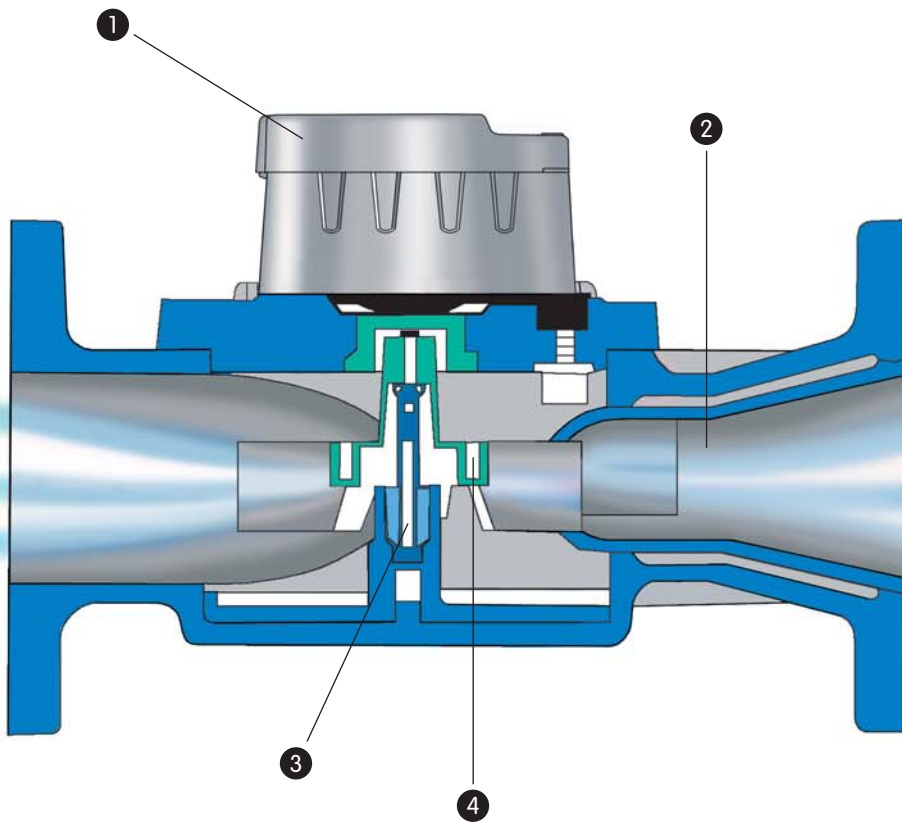
Intelligent information

To provide the level of information required in today's revenue management applications, the S2000 offers enhanced communication features to improve management of data from key accounts. The meter is fully compatible with Elster's Emeris range of intelligent meter reading systems, enabling water providers to secure and optimise revenue collection.

Enhanced communications and security

Using an inductive register to deliver enhanced communications performance and tamper-proof security, the S2000 provides effective protection against fraud. Compatible with Emeris PR7 inductive pulse transmitter, the product features both high and low speed bi-directional pulse capabilities as standard, and is fully compatible with other common ancillary devices including data loggers and AMR systems.

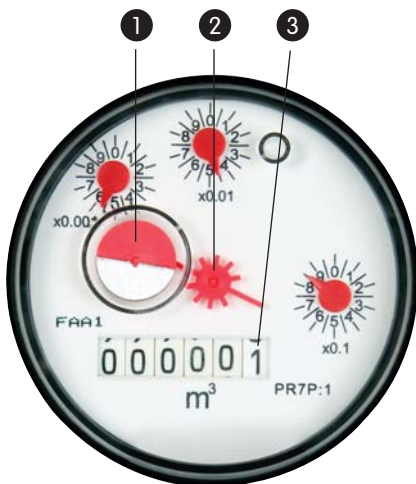




C&I inductive register

- 1 Inductive target for bi-directional pulse communications
- 2 Star tell-tale for easy-to-see flow detection
- 3 Easy to read display – 6 figure display for sizes 40mm to 100mm

- 1 Inductive register
- 2 Profiled flow conditioner
- 3 Self-cleaning bearing
- 4 Field replaceable rotor



About Elster Group

A world leader in advanced metering infrastructure, integrated metering, and utilisation solutions to the gas, electricity and water industries, Elster's systems and solutions reflect over 170 years of knowledge and experience in measuring precious resources and energy. Elster provides solutions and advanced technologies to help utilities more easily, efficiently and reliably obtain and use advanced metering intelligence to improve customer service, enhance operational efficiency, and increase customer benefits. Elster's AMI solutions enable utilities to cost-effectively deliver, manage, and conserve the life-essential resources of gas, electricity, and water. Elster has over 7500 staff and operations in 38 countries in North and South America, Europe, and Asia.

For additional information, visit www.elster.com

WEEE producer identification number:
WEE/EJ0221XT/PRO

Elster Metering Limited
130 Camford Way
Sundon Park
Luton
Bedfordshire
LU3 3AN
United Kingdom
T: +44 (0)1582 846400
F: +44 (0)1582 564728
water.metering@gb.elster.com
www.elstermetering.com

Copyright © 2008 Elster Group
All rights reserved.
No part of the publication may be reproduced in any material form without the written permission of the Elster Group except in accordance with the provisions of the Copyright, Designs and Patents Act 1988.

The Company's policy is one of continuous improvement and the right is reserved to modify the specifications without notice.