

# Temperature sensors for heat and cooling meters

Optimal solutions for every size of construction



- Temperature sensor TSF/TS for medium and huge constructions
- Temperature sensor DS/TL/CST for small constructions
- Sensor with connection head or fixed cable
- Sensor for direct or pocket immersion
- 2/4-wire version
- PT100 or PT500

PTB approval $\frac{22.70}{02.09}$ DS	PTB approval $\frac{22.70}{99.06}$ TL	PTB approval $\frac{22.30}{99.01}$ CST
PTB approval $\frac{22.70}{99.07}$ TSF	PTB approval $\frac{22.70}{92.01}$ TS	



elster

ICM Energiemesstechnik

Ball valve with mounting possibilities for direct sensor DS/CST



**Ordering number**  
R 1/2" 8003735  
R 3/4" 8003751  
R 1" 8003727  
R 1 1/4" 8060984  
R 1 1/2" 8049689

T-piece adapter with mounting possibilities for direct sensor DS/CST



**Ordering number**  
M10x1 - 1/2" 8004316

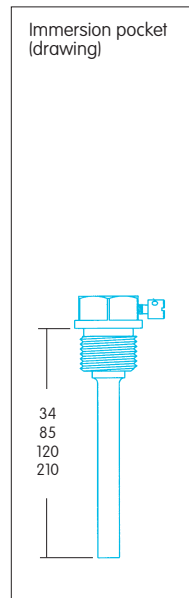
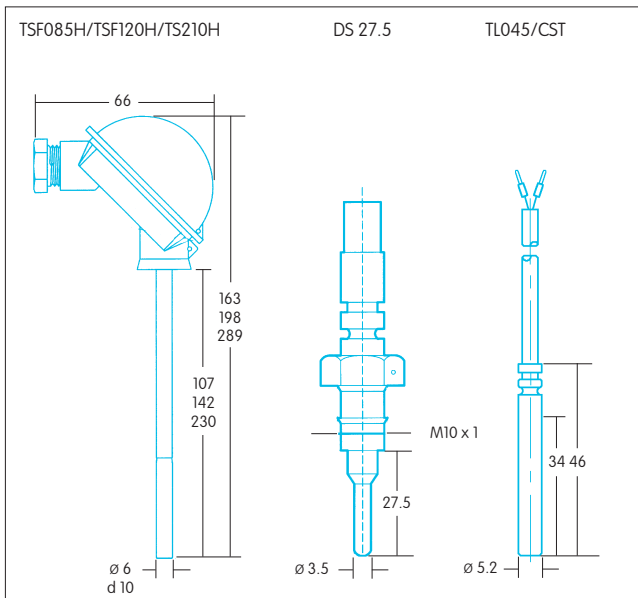
Mounting set for CST sensors (scope of delivery)  
Depth of immersion of sensor when directly measured:  
26 mm



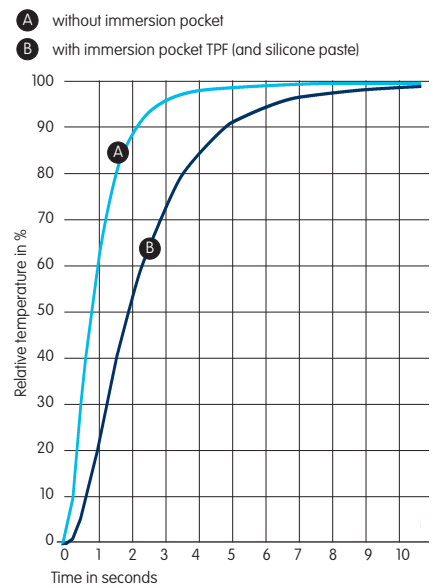
Sensor	TSF085H Head	TSF120H Head	TS210H Head	TSF085C30 Cable	TSF120C30 Cable	DS 27.5 Cable	TL045 Cable	CST Cable
Sensor type Core values/tolerance acc. to DIN/IEC 751 class B								
<b>Ordering number</b>	PT100* paired <b>8007803</b>	<b>8007811</b>	<b>8007781</b>	<b>8004294</b>	<b>8004308</b>	<b>8059986</b>	<b>8021385</b>	<b>8029505</b>
Measuring range	°C 0 ... 180		0 ... 180	0 ... 180	0 ... 180	0 ... 130	0 ... 140	0 ... 140
Sensor lines	2/4		2/4	2	2	2	2	2
Diameter	mm 6	6	6	6	6	3.5	5.2	5.2
Installation length	mm 85	120	210	85	120	27.5	34	34 (26**)
Cable length	—		—	3	3	2	3	2
Connection thread	—		—	—	—	M10 x 1	—	M10 x 1**
<b>Material</b>								
Sensor pipe	fibre glass-polymer	fibre glass-polymer	stainless steel	fibre glass-polymer silicone	fibre glass-polymer silicone	stainless steel silicone	stainless steel silicone	stainless steel silicone
Connection cable	—	—	—	—	—	—	—	—
Connection head	fibre glass-polymer	fibre glass-polymer	fibre glass-polymer	—	—	—	—	—
Approved immersion pocket direct immersion	—	TPF085	TPF120	TPF085	TPF120 ball valve	— or T-piece (with adapter)	TH34 ball valve	TH34 or T-piece (with adapter)

\* PT500 optional \*\* using mounting set (scope of delivery)

Immersion pocket		TH34	TPF085	TPF120	TP210
<b>Ordering number</b>	piece	<b>0207876</b>	<b>8008036</b>	<b>8008044</b>	<b>8008052</b>
Pressure rating	bar PN	25	25	25	25
Material		brass	acid-resistant steel	acid-resistant steel	acid-resistant steel
Connection thread		R1/2"	R1/2"	R1/2"	R1/2"
Weldable coupler 45°, R1/2" internal					
<b>Ordering number</b>	piece	<b>8001996</b>			



Temperature-/time change-over diagramm TSF



ELSTER Messtechnik GmbH  
Otto-Hahn-Strasse 25  
68623 Lampertheim, Germany  
T +49 (0) 62 06 933 0  
F +49 (0) 62 06 933 100  
E messtechnik@de.elster.com  
www.elstermesstechnik.com

PT100\_D\_09.01e / 07.10  
Contents subject to change without notice;  
errors excepted

