

M170 Multi-jet cold water meters

The M170 is a multi-jet water meter that has been designed for very accurate water measurement.

All parts are manufactured by Elster to the highest specifications and the latest test procedures prove every meter's accuracy prior to despatch.

The meter is approved to ISO4064 Class B in the horizontal position, Class A in the vertical position



Robustness

The meter is capable of high flows for a short period of time. The meter is manufactured from the highest quality materials for maximum resistance to wear and corrosion. One example of this, is the jewelled rotor bearings which are used to provide flow sensitivity and long life. All Elster meters have a mesh filter for added protection against debris.

Registers

The register is super dry and guarantees excellent security through a snap-fit locking system. The register has 360° rotation, ensuring easy readability.

Accuracy

The meter meets ISO4064 and NBR NM212.

Security

Elster meters have a number of security features which protect it from tampering.

- Snap-fit locking register and shroud system.
- Anti-fraud ring that will prevent the meter being opened after installation.
- Reliable anti-fraud indication system, which allows tampering to be detected.

Maintenance costs

The meter has been designed to make repairs fast and easy, decreasing maintenance costs.

Calibration

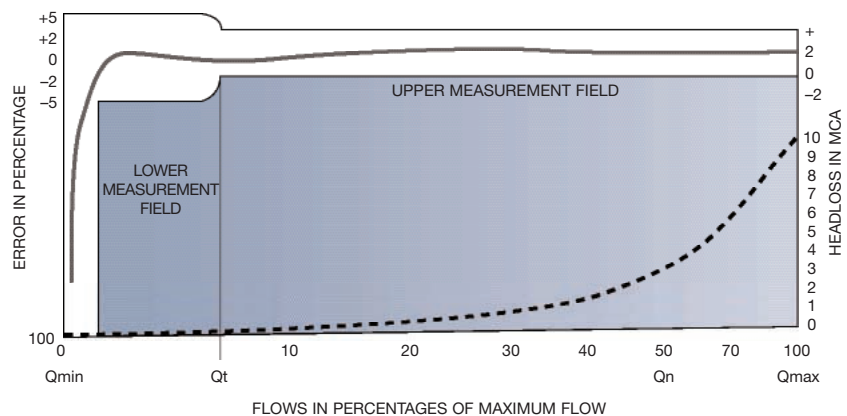
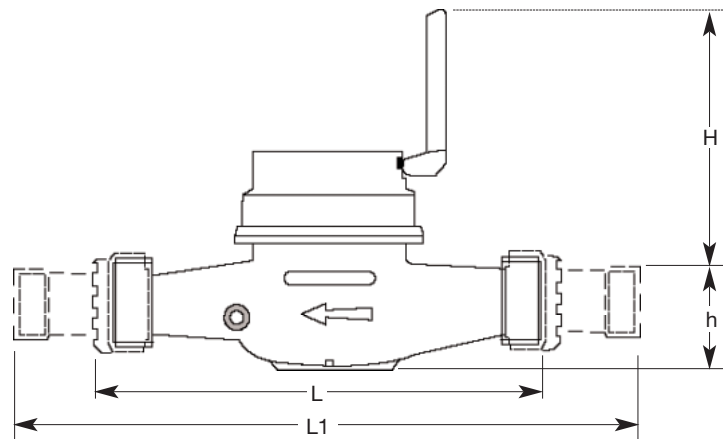
The meter has external calibration.

Performance

Size of meter		mm	3m ³	5m ³
Class			B-H/A-V	B-H/A-V
Nominal diameter		mm	15-20	15-20
		ins	½ - ¾	½ - ¾
Overload flow rate	qs±2%	m ³ /h	3.0	5.0
Permanent flow rate	qp±2%	m ³ /h	1.5	2.5
Transitional flow rate	qt±2%	l/h	120-H/150-V	200-H/250-V
Minimum flow rate	qmin±5%	l/h	30-H/40-V	50-H/100-V
Maximum operating temperature		°C	40	40
Maximum operating pressure		kgf/cm ²	10	10
Low volume indicator		litres	0.05	0.05
High volume indicator		m ³	9,999 (7 rollers)	
Dimensions				
Length	(L)	mm	165–190	
	(L1)	mm	243–284	
Height	(H)	mm	127	
	(h)	mm	28.5–30.0	
Width		mm	82	
Weight without connectors		g	540 / 560	
Weight with connectors		g	760 / 920	
Meter connection thread		ins	G ¾ B - G 1 B	
Pipe connection thread		ins	R ½ - R ¾	

Pressure equipment directive 97/23/EC

This product is applicable in networks for the supply, distribution and discharge of water and associated equipment and is therefore exempt.



Elster Metering Limited
 Pondwicks Road
 Luton, Bedfordshire
 LU1 3LJ, United Kingdom
 Telephone +44 (0)1582 402020
 Facsimile +44 (0)1582 438051
 Website: www.elstermetering.com
 E-mail: water.metering@gb.elster.com

PRESSURE CURVE: - - -
 ERROR LOSS: ———

Leaflet ref. 8505C3376

The Company's policy is one of continuous improvement and the right is reserved to modify the specifications without notice.