

# M 100 Multi-jet Meter ARTIST

Master of all classes

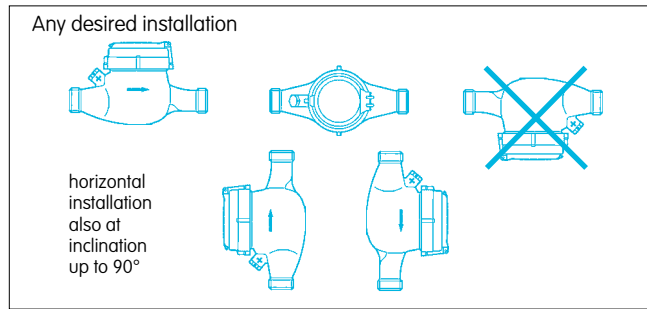
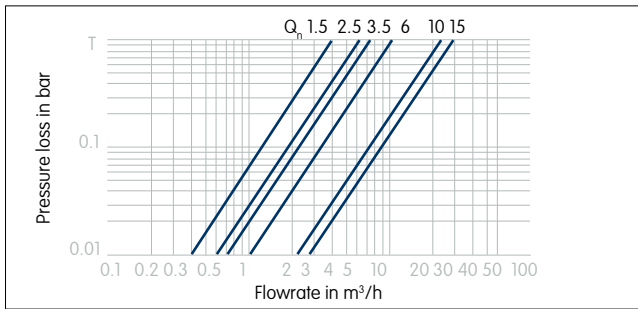


EEC approval Cold water up to 30 °C
<b>C</b> 82
<b>6</b> 131.42
Q <sub>n</sub> 1.5 ... 3.5

EEC approval Cold water up to 30 °C
<b>C</b> 98
<b>6</b> 131.04
Q <sub>n</sub> 6 ... 15

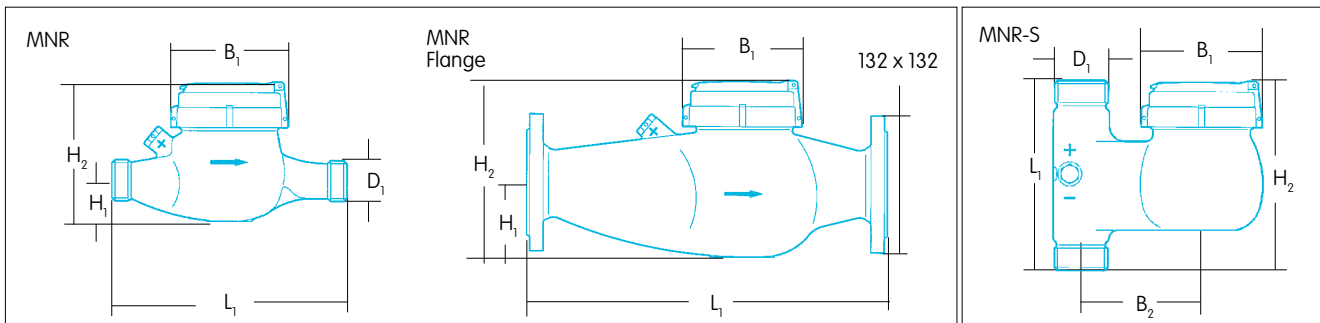
- Multi-jet wet-dial meter for cold water
- Nominal flowrate  $Q_n$  1.5 to 15 m<sup>3</sup>/h
- EEC approval metrological class C·H/B·V
- Universal mounting positions
- ELSTER conText® inscription system
- Optionally retrofittable with pulse contactors





Multi-jet meter ARTIST		MNR								MNR-S					
Meter size /		1.5		2.5		3.5		6		6		10		15	
Nominal flowrate	$Q_n$ m³/h	1.5	2.5	3.5	6	6	10	15	15	1.5	2.5	6	10	10	
Nominal size	DN mm	15	20	25	25	32	40	50	50	20	20	25	40	40	
	DN inches	1/2	3/4	1	1	1 1/4	1 1/2	2	2	3/4	3/4	1	1 1/2	1 1/2	
<b>Ordering number</b>		<b>0754323</b>	<b>0754625</b>	<b>0754641</b>	<b>0754668</b>	<b>0754676</b>	<b>0754684</b>	<b>0754692</b>	<b>0754706</b>	<b>0754730</b>	<b>0754749</b>	<b>0754765</b>	<b>0754773</b>		
Initial calibration B-H/B-V		Standard		Standard		Standard		Standard		Standard		Standard			
Preparation for pulse	100 litres/1 pulse	0756725	0765741	0756776	0756784	0756792	0756806	0756814	0756822	0756857	0756865	0756881	0756911		
Preparation for pulse	1000 litres/1 pulse	0756989	0757017	0757020	0757039	0757047	0757055	0757063	0757071	0757128	0757136	0757152	0757179		
<b>Dimensions</b>															
$D_1$	Meter conn. thread	G 3/4 B		G 1 B		G 1 1/4 B		G 1 1/4 B		G 1 1/2 B		G 2 B		G 2 1/2 B	
	ISO 228/1	inches		inches		inches		inches		inches		inches		inches	
	Conn. pipe thread	R 1/2		R 3/4		R 1		R 1		R 1 1/4		R 1 1/2		R 2	
	ISO 7/1	inches		inches		inches		inches		inches		inches		inches	
$L_1$	Meter length	165	190	260	260	260	300	270	270	105	105	150	200		
	Connector length	40	50	60	60	60	70	60	—	50	50	60	70		
$B_1$	Width	100	100	100	100	100	100	100	100	100	100	100	100		
$B_2$	Distance	—	—	—	—	—	—	—	—	80	80	94	120		
$H_1$	Centerline height	31	31	43	43	43	46	46	68	—	—	—	—		
$H_2$	Overall height	115	115	130	130	130	153	153	160	135	135	151	195		
	Weight	1.5	1.5	2.5	2.5	2.5	3.7	4.5	8.5	1.8	1.8	2.6	5.5		
<b>Performance characteristics</b>															
Horizontal installation															
Flowrate															
Maximum	$Q_{max}$ m³/h	3	5	7	12	12	20	30	30	3	5	12	20		
Transitional	$Q_{1**}$ l/h	18	30	30	55	55	100	150	150	18	30	55	100		
Minimum	$Q_{min**}$ l/h	10	18	18	30	30	60	75	75	10	18	30	60		
Starting flow	l/h	3.5	5.5	5.5	12	12	14	20	20	3.5	5.5	12	14		
Continuous load															
approx. $1.6 \times Q_n$	l/h	2 500	4 000	5 600	10 000	10 000	16 000	25 000	25 000	2 500	4 000	10 000	16 000		
Temperature	$T_{max}$ °C	30	30	30	30	30	30	30	30	30	30	30	30		
Pressure rating	PN bar	16	16	16	16	16	16	16	16	16	16	16	16		
Flow capacity	at 1 bar pressure loss	4.4	6.7	7.2	12.8	12.8	22	32	32	4.0	6.7	12.8	22		

\*\* typical performance characteristics, exceeds the demands of the metrological class C



ELSTER Messtechnik GmbH  
 Otto-Hahn-Strasse 25  
 D-68623 Lampertheim  
 T +49 (0) 62 06 933 0  
 F +49 (0) 62 06 933 100  
 E messtechnik@de.elster.com  
 www.elstermesstechnik.com  
 M100\_D\_01.01e / 07.08  
 Changes without notice



**Reed Disc with tamper detection**  
 Type Reedswitch potted, protection IP 68  
 Contact load max. 24 V DC, 50 mA  
 Resistance 100 Ohm  
 Cable 3 x 0.14 mm², Ø 3.3 mm  
 Pulse contact brown – white  
 Tamper contact green – white  
 Cable length 3 m  
**Ordering number**  
 100 litres/1 pulse 0000998  
 1000 litres/1 pulse 0000999

