

R 1 000

Irrigation Meter

Metering technology that stands up
to wind and weather



- ✘ Type WP-T-M.
- ✘ Nominal size DN 50 ... 250.
- ✘ Dirty-proof dry-dial meter for any mount.
- ✘ Easy-contact MULTI-PULS register with three interfaces.
- ✘ Retrofittable pulse transmitters for analogue and digital readings.
- ✘ Solar-driven batching system for automatic irrigation.
- ✘ Cold water up to 50 °C.

R 1 000

Irrigation Meter

Totally open metering compartment
for unhindered flow

Durable on duty

Good to know: our irrigation meters have been meticulously prepared for use in agricultural conditions, incorporating special features which differentiate them from the ultra-sophisticated Woltmann meters used in water resources management.

Consummate in construction

The housing has been reduced to pure functionality. The connection flanges conform to DIN 2532/33. The material is GG 25. The surface is coated with epoxy resin all over, meaning inside and out.

The housing is topped by a generously dimensioned brass-cast head. And the cover above the counter mechanism is made of brass, too, instead of plastic; it can be secured with a padlock.

Good in the details

Our irrigation meter offers the water free passage. In contrast to Woltmann meters, the cross-section in the metering compartment is not constricted, which results in extremely – and gratifyingly – favourable pressure loss figures.

Accurate in metering

The dry-dial type counter mechanism operates with consistent metering accuracy, regardless of the water quality involved. Like other water meters, our irrigation meter should be checked every 6 years.



Pulse transmitter	DN mm 50 ... 125	DN mm 150 ... 250	Order No.
Pulse sequence Standard	litres/pulse	litres/pulse	
T 160 Reed	100/1	1 000/1	0522237
Reed	1 000/1	10 000/1	0522237
T 180 Opto electronic	1/1	10/1	0524816
T 170 Inductive	1/1	10/1	0604545

Flexible in employment

The MULTI-PULS register is well equipped for remote reading and batching. Via three interfaces, three values can be transmitted: one analogue and two digital ones. The pulse transmitters fit easily into dovetail slots on the register's side.

Independent in the field

For irrigation installations required to run automatically, we offer a programmable dosing system. Fitted with powerful solar cells, it does not need a mains supply, but still ensures reliable processing of all important parameters, like water quantity and sprinkling time.

WP-T-M dry-dial

- ❑ Cold water up to 50 °C.
- ❑ Any desired installation configuration.
- ❑ Display capacity
DN 50 ... 125
999 999 m³,
DN 150 ... 250
9 999 999 m³.
- ❑ Minimum scale value:
DN 50 ... 125
0.0025 m³,
DN 150 ... 250
0.025 m³.
- ❑ No national calibration seal allowed. On request, factory calibration seal together with test certificate available.

Typical

WP-T-M

Weatherproof

- ✗ Sturdy construction through and through: designed to cope with tough operating conditions.
- ✗ Corrosion-proof housing in GG 25 grey cast iron, durably coated with epoxy resin.
- ✗ Hard-wearing meter brass-cast head.
- ✗ Guaranteed water-proof separation between metering compartment/metering insert and counter mechanism.
- ✗ Counter mechanism in dustproof enclosure.
- ✗ Clear reading always possible.

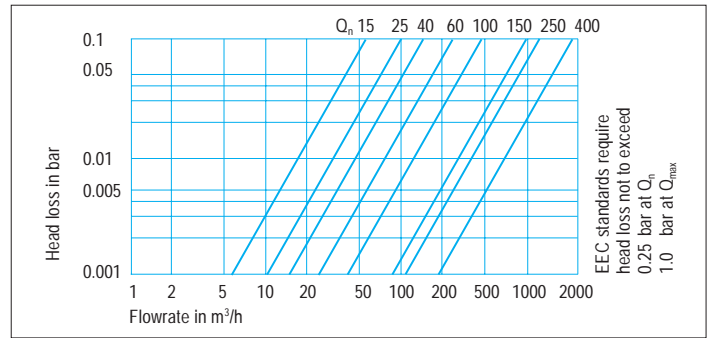
Maintenance-friendly

- ✗ Simple construction of meter in modules: housing, meter head, metering insert, counter mechanism.
- ✗ A single measuring element fits all meter housings.
- ✗ Minimized inventory requirement for standard maintenance: metering insert, counter mechanism.

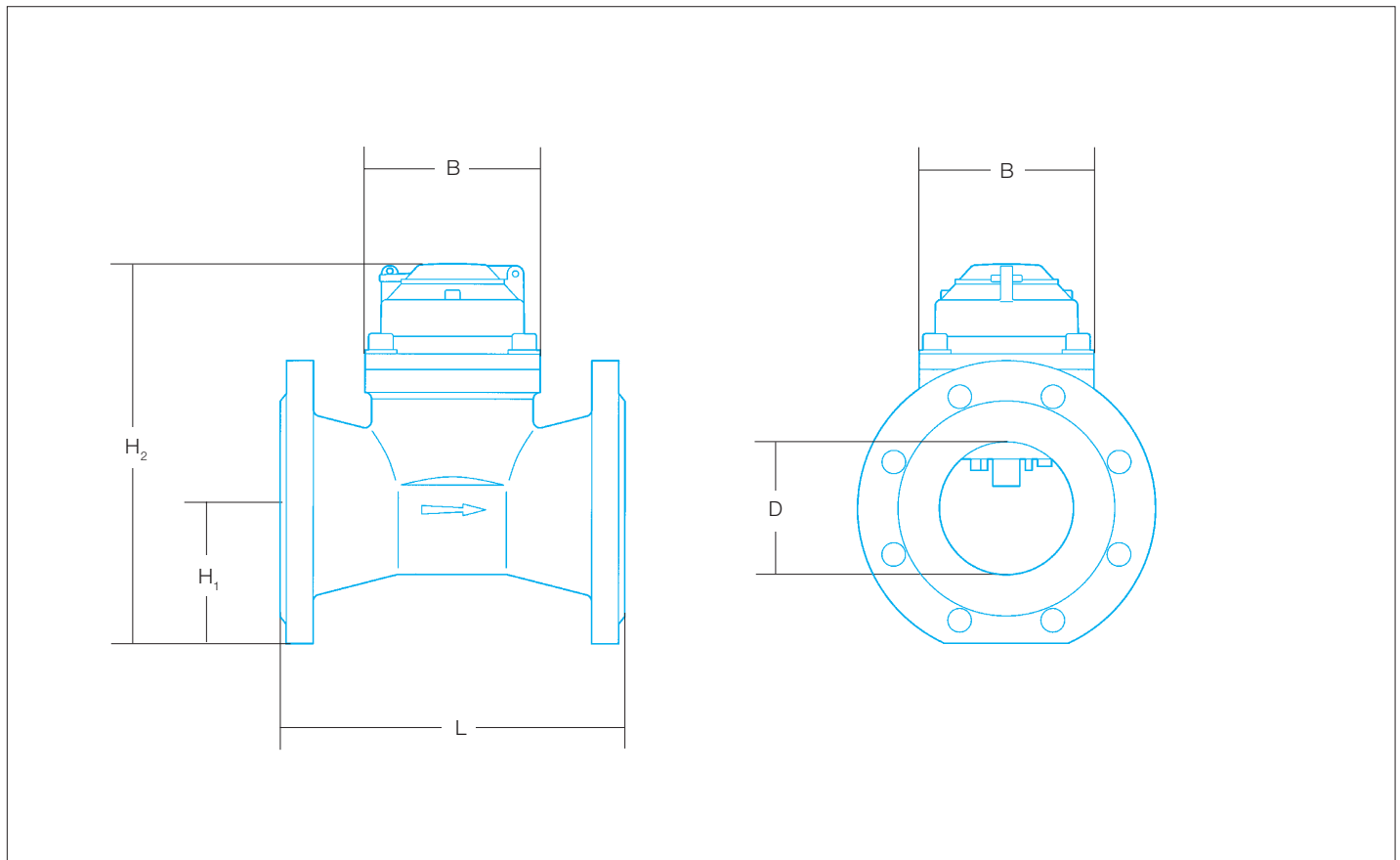
Accurate metering

- ✗ Conforms at least to the EEC directives in Class A for cold water.

Technical Data

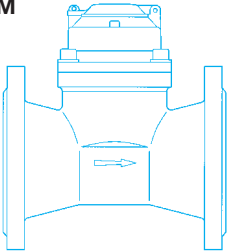


Irrigation meter		R 1000	WP-T-M							
Nominal size	DN	mm	50	65	80	100	125	150	200	250
Meter size / nominal flowrate	Q _n	m ³ /h	15	25	40	60	100	150	250	400
D Connection flange	DIN 2532/33 — BS 4504	mm	50	65	80	100	125	150	200	250
L Meter length		mm	200	200	225	250	250	300	350	450
B Width		mm	130	130	130	130	130	130	130	130
H ₁ Centerline height		mm	72	85	95	105	120	135	160	200
H ₂ Overall height		mm	130	240	250	260	275	290	315	355
Weight		kg	11	13	15	19	24	30	48	85
Actual measuring range Horizontal/vertical installation										
Maximum flowrate	Q _{max}	m ³ /h	70	100	150	250	350	500	900	1 200
Transitional flowrate	Q _t	m ³ /h	4.5	7.5	12	18	30	45	75	120
Minimum flowrate	Q _{min}	m ³ /h	1.2	2.0	3.2	4.8	8	12	20	32
Required measuring range Class A			A	A	A	A	A	A	A	A
Maximum flowrate	Q _{max}	m ³ /h	30	50	80	120	200	300	500	800
Transitional flowrate	Q _t	m ³ /h	4.5	7.5	12	18	30	45	75	120
Minimum flowrate	Q _{min}	m ³ /h	1.2	2.0	3.2	4.8	8	12	20	32
Continuous load		m ³ /h	30	50	80	120	200	300	500	800
Temperature	T _{max}	°C	50	50	50	50	50	50	50	50
Pressure rating		PN	16	16	10/16	16	16	16	10/16	10/16
Flow capacity	at 0.1 bar pressure loss	m ³ /h	55	100	145	270	450	950	1 200	1 900



Ordering information

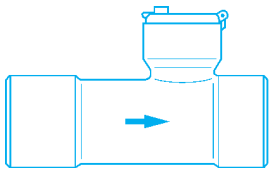
WP-T-M



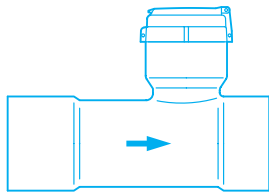
Irrigation meter WP-T-M	DN mm	L mm	Order No. PN 10	Order No. PN 16
MULTI-PULS registers	50	200	-	0669997
3 data interfaces	65	200	-	0670006
	80	225	0670014	0670022
	100	250	-	0670030
	125	250	-	0670049
	150	300	-	0670057
	200	350	0670065	0670073
	250	450	0670081	0670103

Other types

Further information on request



Irrigation meter WP-T-D, national calibration seal	DN mm/inches	L mm	Order No. PN 16
Mechanical register	80/G 3 A	225	1066745



Irrigation meter WP-T-DD	DN mm/inches	L mm	litres/pulse	Order No. PN 16
Pulse register	80/G 3 A	225		1162981
Pulse transmitter				
T 160 Reed			100/1	0522237
Reed			1 000/1	0522237
T 170 Inductive			1/1	0604545
T 180 Opto electronic			1/1	0524816

Accessories



Special meter WP-T-D-EG	DN mm/inches	L mm	litres/pulse	Order No. PN 16
LCD register Flow volume and flow rate Pulse output to datalogger UNIMOS	80/G 3 A	225	8,38/1	0624292

Description	DN mm/inches	Order No.
Adapter for standpipe installation	80/G 3 A	1008184



ELSTER Messtechnik GmbH
 Otto-Hahn-Strasse 25
 D-68623 Lampertheim
 Phone +49 (0) 62 06 / 9 33-0
 Telefax +49 (0) 62 06 / 9 33-100
 messtechnik@de.elster.com
 www.elstermesstechnik.com

L 04.07e / 04.03
 Changes may occur
 without notice

