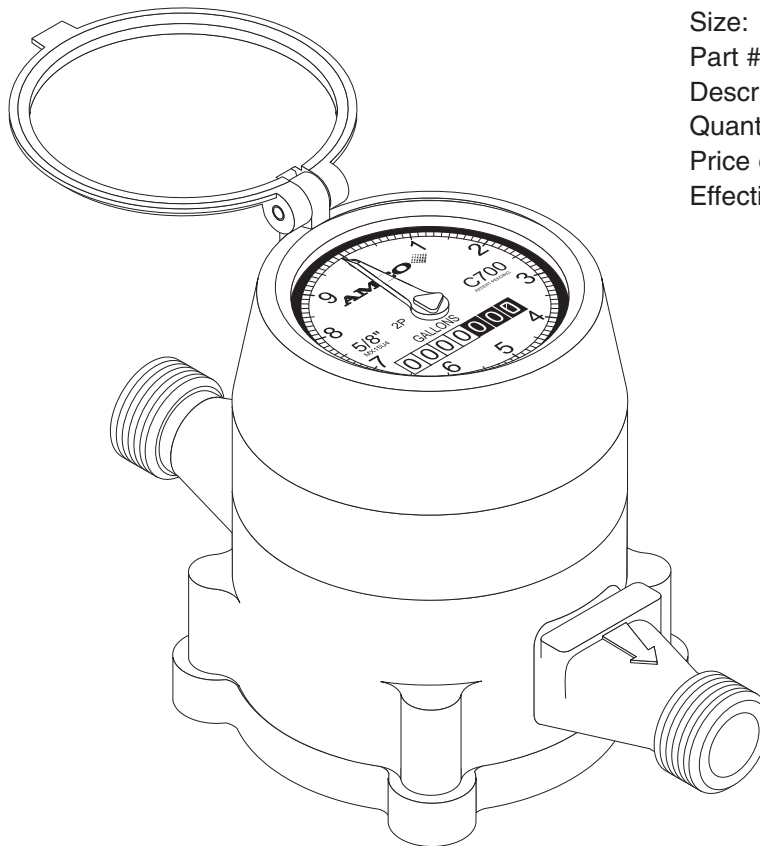


**C700 Waterworks and Low-lead Bronze
Positive Displacement Cold Water Meters**

5/8", 3/4" and 1"



When ordering parts, please include:
Model: C700
Size:
Part #
Description
Quantity of each part
Price of each part
Effective Date: January 15, 2003

AMCO Water Metering Systems Inc.
www.amcowater.com

United States – ISO 9002 Registered
AMCO Water Metering Systems
P.O. Box 1852
Ocala, FL 34478-1852
352-732-4670 FAX 352-368-1950
Outside Florida: 800-874-0890
Inside Florida: 800-356-6829
e-mail: watermeters@amcowater.com

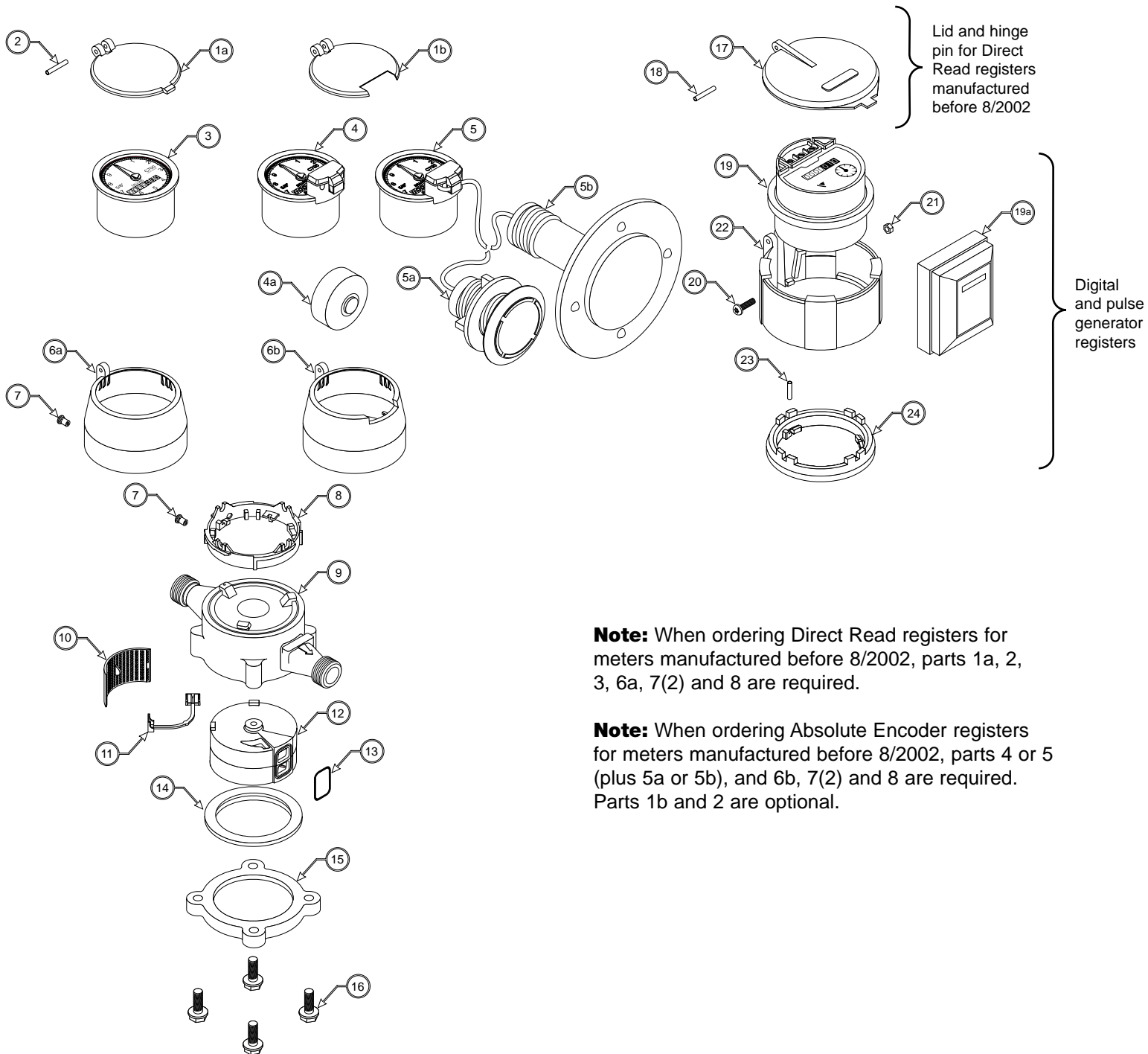
Caribbean
AMCO Water Metering Systems
P.O. Box 225
Carretera 112 KM 2.3
Isabela, PR 00662
787-872-2006
FAX 787-872-5427
e-mail: prwatermeters@amcowater.com

Canada
Elster Water
3450 Harvester Road
Burlington, Ontario L7N 3W5
866-703-7582
905-634-4895
FAX 905-634-6705
e-mail: watermeters@ca.elster.com

Mexico
Elster Medidores
Lago Omega #281
Col. Modelo Pensil.
Del. Miguel Hidalgo
C P 11460
525 55 203 8002
FAX 525 55 203 8270
e-mail: amcowater@prodigy.net.mx

C7-PP-58341/01-03





Note: When ordering Direct Read registers for meters manufactured before 8/2002, parts 1a, 2, 3, 6a, 7(2) and 8 are required.

Note: When ordering Absolute Encoder registers for meters manufactured before 8/2002, parts 4 or 5 (plus 5a or 5b), and 6b, 7(2) and 8 are required. Parts 1b and 2 are optional.

Bronze C700 Parts/Prices - 5/8" to 1"

Note: When ordering Direct Read registers for meters manufactured before 8/2002, parts 1a, 2, 3, 6a, 7(2) and 8 are required.

Note: When ordering Absolute Encoder registers for meters manufactured before 8/2002, parts 4 or 5 (plus 5a or 5b), and 6b, 7(2) and 8 are required. Parts 1b and 2 are optional.

ILL. NO.	Description		5/8"x 1/2"	5/8"x 3/4"	3/4"x 3/4"(7.5)	3/4"x 3/4"(9)	3/4"x 1"	1"
1a	Direct Read Lid: Polymer	Price Part #	\$1.00 BTA8028	\$1.00 BTA8028	\$1.00 BTA8028	\$1.00 BTA8028	\$1.00 BTA8028	\$1.00 BTA8028
	Direct Read Lid: Bronze	Price Part #	\$3.45 BTA0114	\$3.45 BTA0114	\$3.45 BTA0114	\$3.45 BTA0114	\$3.45 BTA0114	\$3.45 BTA0114
1b	Encoder Register Lid: Polymer	Price Part #	\$1.00 BTA8034	\$1.00 BTA8034	\$1.00 BTA8034	\$1.00 BTA8034	\$1.00 BTA8034	\$1.00 BTA8034
	Encoder Register Lid: Bronze	Price Part #	\$3.45 BTA8035	\$3.45 BTA8035	\$3.45 BTA8035	\$3.45 BTA8035	\$3.45 BTA8035	\$3.45 BTA8035
2	Hinge Pin	Price Part #	\$0.10 2287M2695	\$0.10 2287M2695	\$0.10 2287M2695	\$0.10 2287M2695	\$0.10 2287M2695	\$0.10 2287M2695
3	Direct Read Register	Price Part #	\$16.30 MX15U4	\$16.30 MX15U4	\$16.30 MX20U4	\$16.30 MX20U4	\$16.30 MX20U4	\$16.30 MX25U4
	Gallons	Part #	MX15F4	MX15F4	MX20F4	MX20F4	MX20F4	MX25F4
	Cubic Feet							
	Other Units							
			Contact Customer Service					
4	Encoder Register (not potted)	Price Part #	\$83.45 MX15U4GOX	\$83.45 MX15U4GOX	\$83.45 MX20U4GOX	\$83.45 MX20U4GOX	\$83.45 MX20U4GOX	\$83.45 MX25U4GOX
	Gallons	Part #	MX15F4GOX	MX15F4GOX	MX20F4GOX	MX20F4GOX	MX20F4GOX	MX25F4GOX
	Cubic Feet							
	Other Units							
			Contact Customer Service					
4a	Wall Scan Pad	Price Part #	\$10.95 ECA4157	\$10.95 ECA4157	\$10.95 ECA4157	\$10.95 ECA4157	\$10.95 ECA4157	\$10.95 ECA4157
5	Encoder Register (potted w/ 12' cable)	Price Part #	\$86.45 MX15U4GLX	\$86.45 MX15U4GLX	\$86.45 MX20U4GLX	\$86.45 MX20U4GLX	\$86.45 MX20U4GLX	\$86.45 MX25U4GLX
	Gallons	Part #	MX15F4GLX	MX15F4GLX	MX20F4GLX	MX20F4GLX	MX20F4GLX	MX25F4GLX
	Cubic Feet							
	Other Units							
			Contact Customer Service					
5a	Pit Pad	Price Part #	\$10.95 ECA4156-012	\$10.95 ECA4156-012	\$10.95 ECA4156-012	\$10.95 ECA4156-012	\$10.95 ECA4156-012	\$10.95 ECA4156-012
5b	Pit ERT	Price Part #	\$290.00 2972M6281	\$290.00 2972M6281	\$290.00 2972M6281	\$290.00 2972M6281	\$290.00 2972M6281	\$290.00 2972M6281
6a	Direct Read Register Housing: Polymer	Price Part #	\$3.10 BTA0111	\$3.10 BTA0111	\$3.10 BTA0111	\$3.10 BTA0111	\$3.10 BTA0111	\$3.10 BTA0111
	Direct Read Register Housing: Bronze	Price Part #	\$6.30 BTA0113	\$6.30 BTA0113	\$6.30 BTA0113	\$6.30 BTA0113	\$6.30 BTA0113	\$6.30 BTA0113
6b	Encoder Register Housing: Polymer	Price Part #	\$3.10 BTA8030	\$3.10 BTA8030	\$3.10 BTA8030	\$3.10 BTA8030	\$3.10 BTA8030	\$3.10 BTA8030
	Encoder Register Housing: Bronze	Price Part #	\$6.30 BTA0112	\$6.30 BTA0112	\$6.30 BTA0112	\$6.30 BTA0112	\$6.30 BTA0112	\$6.30 BTA0112
7	Tamper-Resistant Plug *	Price Part #	\$0.30 BTA8029	\$0.30 BTA8029	\$0.30 BTA8029	\$0.30 BTA8029	\$0.30 BTA8029	\$0.30 BTA8029
8	Adapter Ring	Price Part #	\$1.60 BTA8027	\$1.60 BTA8027	\$1.60 BTA8027	\$1.60 BTA8027	\$1.60 BTA8027	\$1.60 BTA8027
9	Body: Waterworks Bronze	Price Part #	\$12.30 MEN0905	\$12.30 MEN0904	\$28.75 CAB0023	\$28.75 CAB0022	\$32.90 CAB0024	\$45.70 CAB0078
	Body: Low-lead Bronze	Price Part #	\$13.30 CAB0180	\$13.30 CAB0179	\$29.75 CAB0182	\$29.75 CAB0181	\$33.90 CAB0183	\$46.70 CAB0184
10	Strainer	Price Part #	\$1.00 MEN0634	\$1.00 MEN0634	\$1.00 CAB0020	\$1.00 CAB0020	\$1.00 CAB0020	\$1.70 CAB0089
11	Chamber Locking Tab	Price Part #	\$0.15 MEN0633	\$0.15 MEN0633	\$0.15 MEN0633	\$0.15 MEN0633	\$0.15 MEN0633	\$0.20 CAB0090
12	Measuring Chamber (complete)	Price Part #	\$13.34 MEN4079	\$13.34 MEN4079	\$41.33 LAB0243	\$41.33 LAB0243	\$41.33 LAB0243	\$66.89 LAB0593
13	Chamber Port O-ring	Price Part #	\$0.20 2412M4001	\$0.20 2412M4001	\$0.25 2412M4002	\$0.25 2412M4002	\$0.25 2412M4002	\$0.25 2412M4003
14	Bottom Liner	Price Part #	\$1.30 MEN0080	\$1.30 MEN0080	\$1.30 MEN0080	\$1.30 MEN0080	\$1.30 MEN0080	\$2.40 CAB0103
15	Bottom Plate: Polymer	Price Part #	\$3.85 MEN0635	\$3.85 MEN0635	\$3.85 MEN0635	\$3.85 MEN0635	\$3.85 MEN0635	None
	Bottom Plate: Cast Iron	Price Part #	\$3.85 MEN0834	\$3.85 MEN0834	\$3.85 MEN0834	\$3.85 MEN0834	\$3.85 MEN0834	\$7.30 CAB0079
	Bottom Plate: Waterworks Bronze	Price Part #	\$6.80 MEN0637	\$6.80 MEN0637	\$6.80 MEN0637	\$6.80 MEN0637	\$6.80 MEN0637	\$15.50 CAB0081
	Bottom Plate: Low-lead Bronze	Price Part #	\$7.80 BTA0044	\$7.80 BTA0044	\$7.80 BTA0044	\$7.80 BTA0044	\$7.80 BTA0044	\$16.50 BTA0045
16	Bottom Bolts **	Price Part #	\$0.40 2137M3210	\$0.40 2137M3210	\$0.40 2137M3210	\$0.40 2137M3210	\$0.40 2137M3210	\$0.50 2137M3237

* 2 required.

** 4 required for 5/8" and 3/4" sizes; 6 required for 1"

