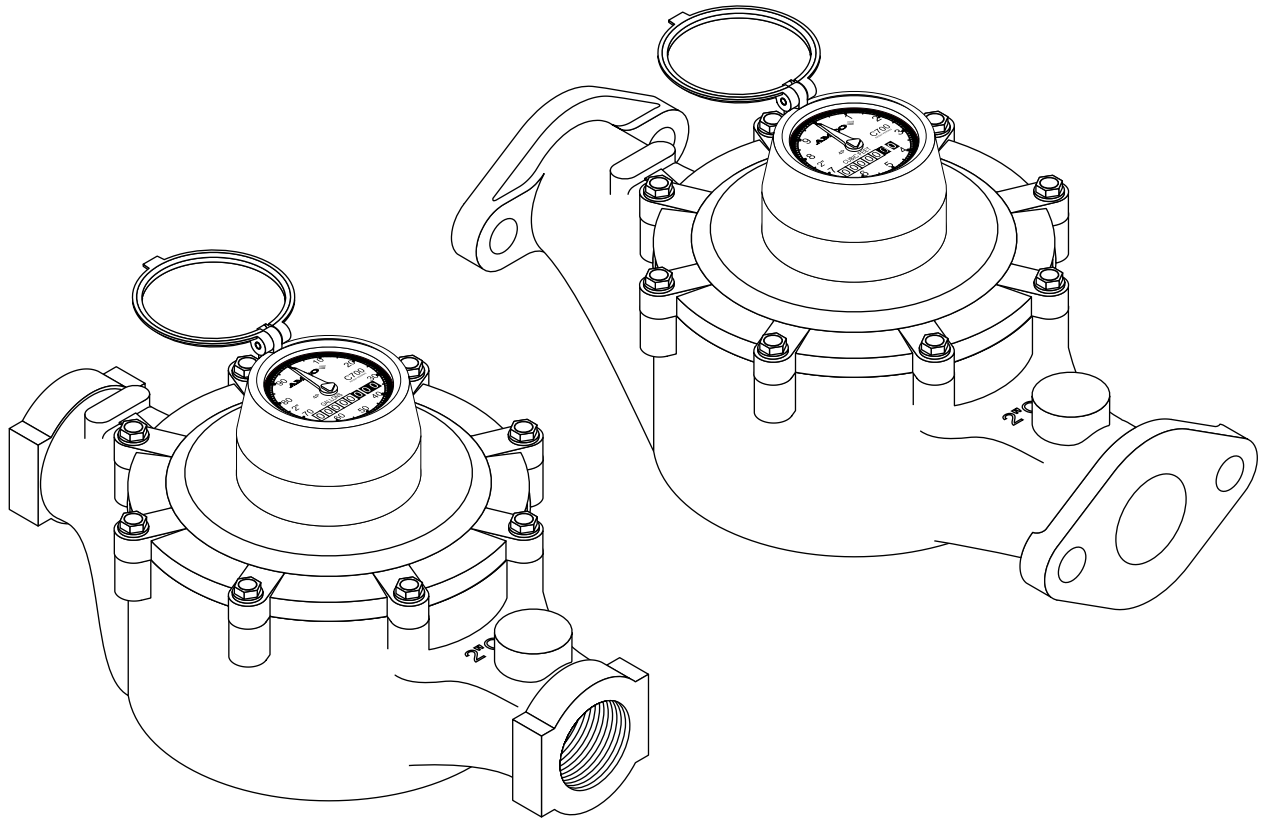


**C700 Waterworks and Low-lead Bronze
Positive Displacement Cold Water Meters**

2"



When ordering parts, please include:

Model: C700

Size: 2"

End Type

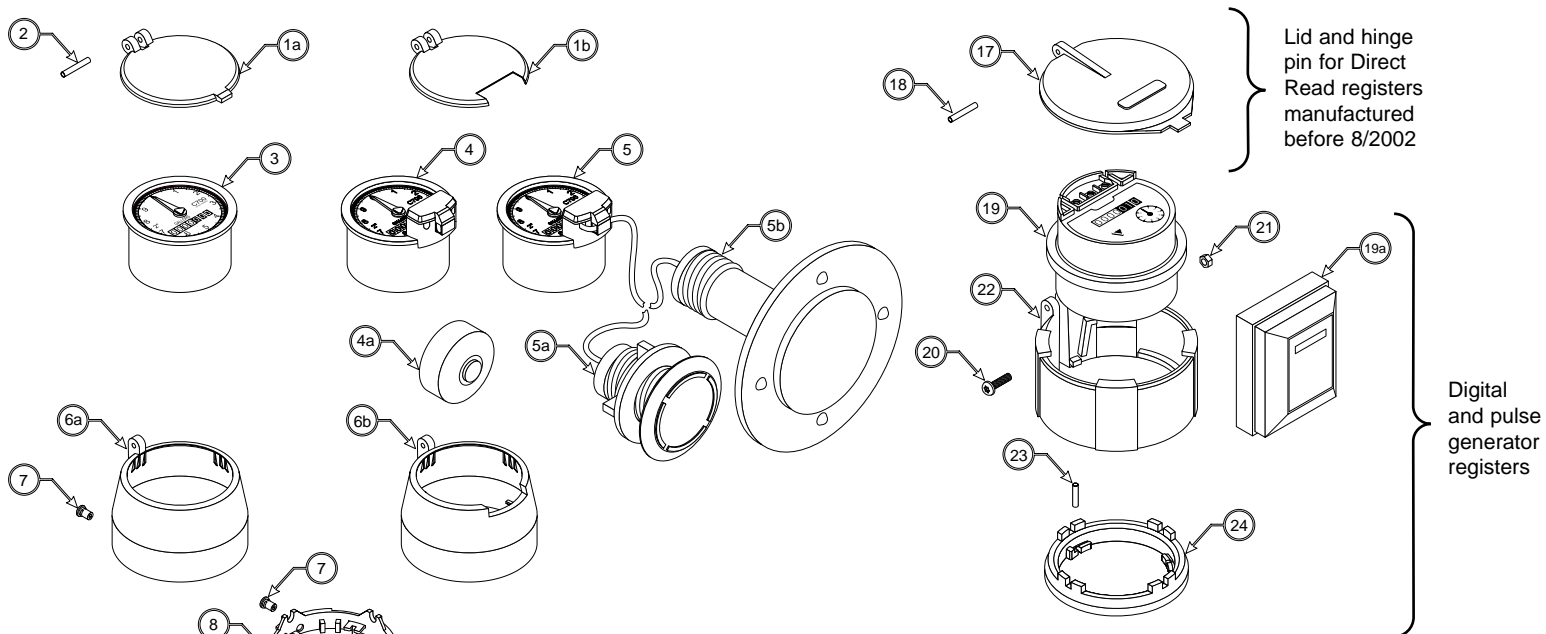
Part #

Description

Quantity of each part

Price of each part

Effective Date: January 15, 2003

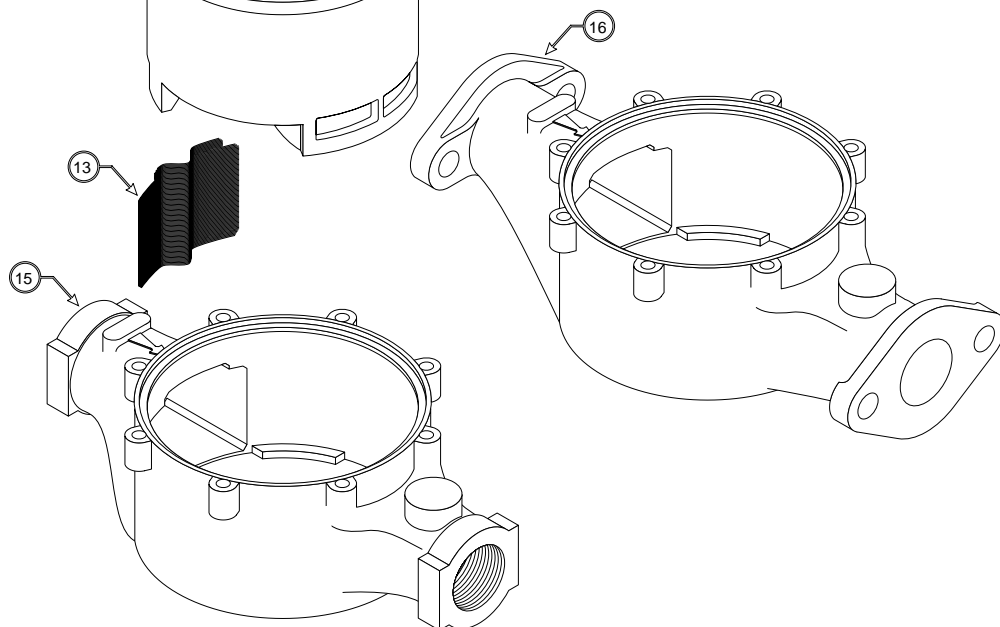


Lid and hinge pin for Direct Read registers manufactured before 8/2002

Digital and pulse generator registers

Note: When ordering Direct Read registers for meters manufactured before 8/2002, parts 1a, 2, 3, 6a, 7(2) and 8 are required.

Note: When ordering Absolute Encoder registers for meters manufactured before 8/2002, parts 4 or 5 (plus 5a or 5b), and 6b, 7(2) and 8 are required. Parts 1b and 2 are optional.



Bronze C700 Parts/Prices - 2"

Note: When ordering Direct Read registers for meters manufactured before 8/2002, parts 1a, 2, 3, 6a, 7(2) and 8 are required.

Note: When ordering Absolute Encoder registers for meters manufactured before 8/2002, parts 4 or 5 (plus 5a or 5b), and 6b, 7(2) and 8 are required. Parts 1b and 2 are optional.

ILL. NO.	Description	Price	2"
1a	Direct Read Lid: Polymer	\$1.00 Part #	BTA8028
	Direct Read Lid: Bronze	\$3.45 Part #	BTA0114
1b	Encoder Register Lid: Polymer	\$1.00 Part #	BTA8034
	Encoder Register Lid: Bronze	\$3.45 Part #	BTA8035
2	Hinge Pin	\$0.10 Part #	2287M2695
3	Direct Read Register Gallons Cubic Feet Other Units	Price Part # Part # Part #	\$16.30 MX50U6 MX50F6 Contact Customer Service
4	Encoder Register (not potted) Gallons Cubic Feet Other Units	Price Part # Part # Part #	\$83.45 MX50U6GOX MX50F6GOX Contact Customer Service
4a	Wall Scan Pad	Price Part #	\$10.95 ECA4157
5	Encoder Register (potted w/12' cable) Gallons Cubic Feet Other Units	Price Part # Part # Part #	\$86.45 MX50U6GLX MX50F6GLX Contact Customer Service
5a	Pit Pad	Price Part #	\$10.95 ECA4156-012
5b	Pit ERT	Price Part #	\$290.00 2972M6281
6a	Direct Read Register Housing: Polymer	Price Part #	\$3.10 BTA0111
	Direct Read Register Housing: Bronze	Price Part #	\$6.30 BTA0113
6b	Encoder Register Housing: Polymer	Price Part #	\$3.10 BTA8030
	Encoder Register Housing: Bronze	Price Part #	\$6.30 BTA0112
7	Tamper-Resistant Plug *	Price Part #	\$0.30 BTA8029
8	Adapter Ring	Price Part #	\$1.60 BTA8027
9	Body Bolts (8 required)	Price Part #	\$0.55 2137M3239
10	Upper Body Plate	Price Part #	\$50.15 CAB0347
11	Chamber O-Ring	Price Part #	\$4.20 2411X2648
12	Measuring Chamber (complete)	Price Part #	\$203.10 LAB0944
13	Strainer	Price Part #	\$15.00 CAB0359
14	Not Used	—	—
15	Body - Oval Flanged End Waterworks Bronze	Price Part #	\$189.00 CAB0344
	Body - Oval Flanged End Low-lead Bronze	Price Part #	\$190.00 BTA0035
16	Body - Threaded End Waterworks Bronze	Price Part #	\$189.00 BTA0012
	Body - Threaded End Low-lead Bronze	Price Part #	\$190.00 BTA0037

ILL. NO.	Description	Price	2"
17	Lid: Polymer	\$1.00 Part #	MEN0832
	Lid: Bronze	\$3.45 Part #	MEN0636
18	Hinge Pin - Bronze Lid	\$0.10 Part #	2287M3198
	Hinge Pin - Polymer Lid	\$0.10 Part #	2287M2695
19	Digital Register: Glass Lens	Price Part # Part # Part #	\$89.00 IT50U6GOP012 IT50F6GOP012 Contact Customer Service
	Digital Register: Plastic Lens	Price Part # Part # Part #	\$77.00 IT50U6PL IT50F6PL Contact Customer Service
	Pulse Generator Register	Price Part # Part # Part #	\$25.30 LAB0905 LAB0810 Contract Customer Service
	Other Register Types		Contract Customer Service
19a	Remote Wall Unit Gallons Cubic Feet Other Units	Price Part # Part # Part #	\$17.50 MRR4387 MRR4390 Contact Customer Service
20	Locking Screw Bronze Housing: TORX Srew	Price Part #	\$0.30 2138M3168
	Locking Screw Polymer Housing: TORX Srew	Price Part #	\$0.20 2138M3177
	Locking Screw Polymer Housing: Drilled Srew	Price Part #	\$0.80 2133M6177
21	Locking Nut	Price Part #	\$0.05 2173M6051
22	Register Housing: Polymer	Price Part #	\$3.10 MEN0950
	Register Housing: Bronze	Price Part #	\$6.30 MEN0833
23	Locking Pin	Price Part #	\$0.10 2287M3128
24	Adapter Ring - Registers Other than Direct Read	Price Part #	\$1.60 MEN0831
Accessories (not shown):			
	Torx T-15 Screwdriver	Price Part #	\$16.00 T-15
	Torx T-25 Screwdriver	Price Part #	\$18.75 T-25

* 2 required.



AMCO Water Metering Systems Inc.
www.amcowater.com

United States – ISO 9002 Registered
AMCO Water Metering Systems
P.O. Box 1852
Ocala, FL 34478-1852
352-732-4670 FAX 352-368-1950
Outside Florida: 800-874-0890
Inside Florida: 800-356-6829
e-mail: watermeters@amcowater.com

Caribbean
AMCO Water Metering Systems
P.O. Box 225
Carretera 112 KM 2.3
Isabela, PR 00662
787-872-2006
FAX 787-872-5427
e-mail: prwatermeters@amcowater.com

Canada
Elster Water
3450 Harvester Road
Burlington, Ontario L7N 3W5
866-703-7582
905-634-4895
FAX 905-634-6705
e-mail: watermeters@ca.elster.com

Mexico
Elster Medidores
Lago Onega #281
Col. Modelo Pensil.
Del. Miguel Hidalgo
C P 11460
525 55 203 8002
FAX 525 55 203 8270
e-mail: amcowater@prodigy.net.mx